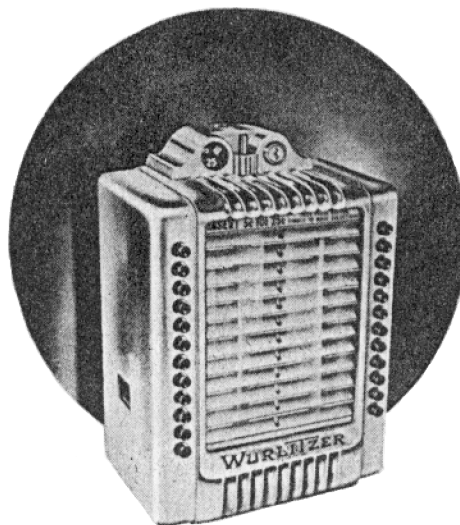


SERVICE INSTRUCTIONS AND PARTS CATALOG

for

WALL BOX MODEL 3020
IMPULSE STEPPER MODEL 219
IMPULSE TRANSMITTER MODEL 215
IMPULSE RECEIVER MODEL 216



COMMERCIAL PHONOGRAPH DIVISION

The RUDOLPH WURLITZER COMPANY
NORTH TONAWANDA, NEW YORK

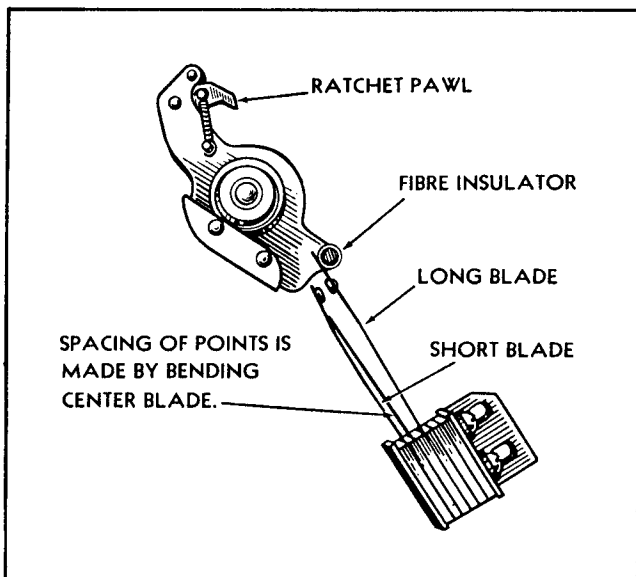


Figure 25—Stepper Switch Adjustment

RELEASE LATCH RELAY ADJUSTMENT

The release latch relay is mounted to an adjustable bracket. Proper adjustment of the relay and bracket permits proper action of the latch pawl, which latches the quadrant gear.

To adjust the relay and bracket, hold the relay armature against the coil pole piece. The flat spring mounted on the armature, bearing against the pin on the ratchet pawl, should lock the point of the pawl into a tooth of the quadrant gear. When the point of the pawl reaches the bottom of the tooth in the quadrant gear, the flat spring on the armature should be deflected slightly. When proper adjustment is obtained, tighten the screws holding the mounting bracket to the base assembly.

NOTE

For additional information on the release latch relay adjustment refer to Figure 26 below.

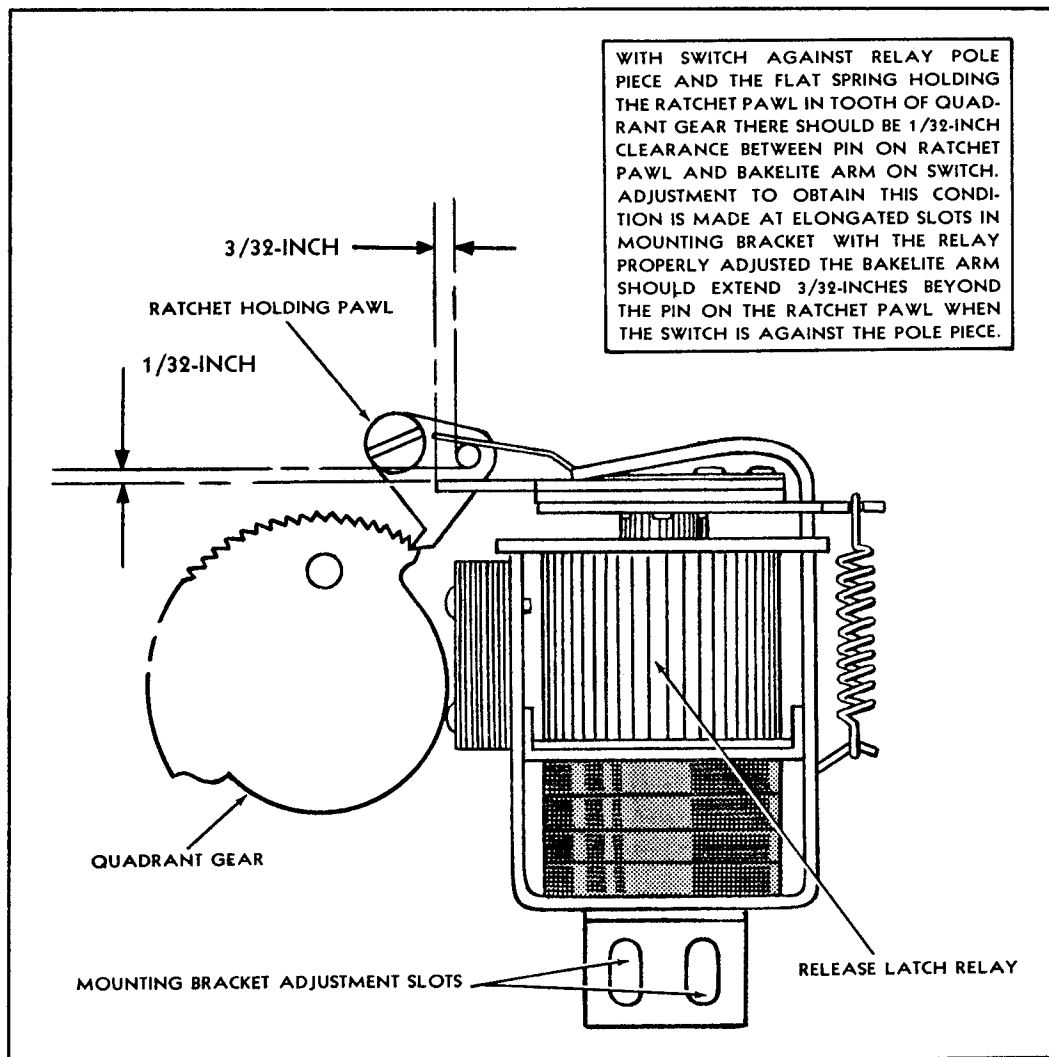


Figure 26—Release Latch Relay Adjustment