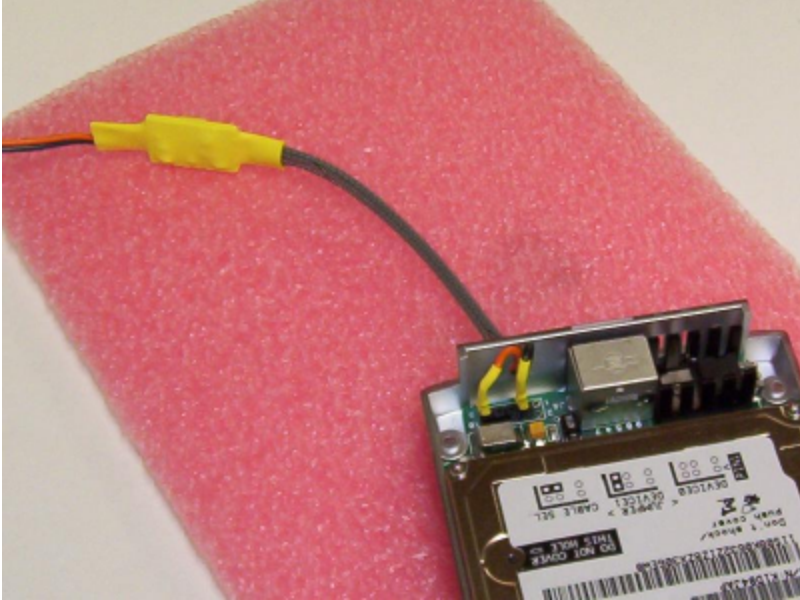


Installation of the CD100 External Mute Accessory



The CD100 external mute accessory has a short (3") set of wires on one end and a long 36" set of wires at the other.

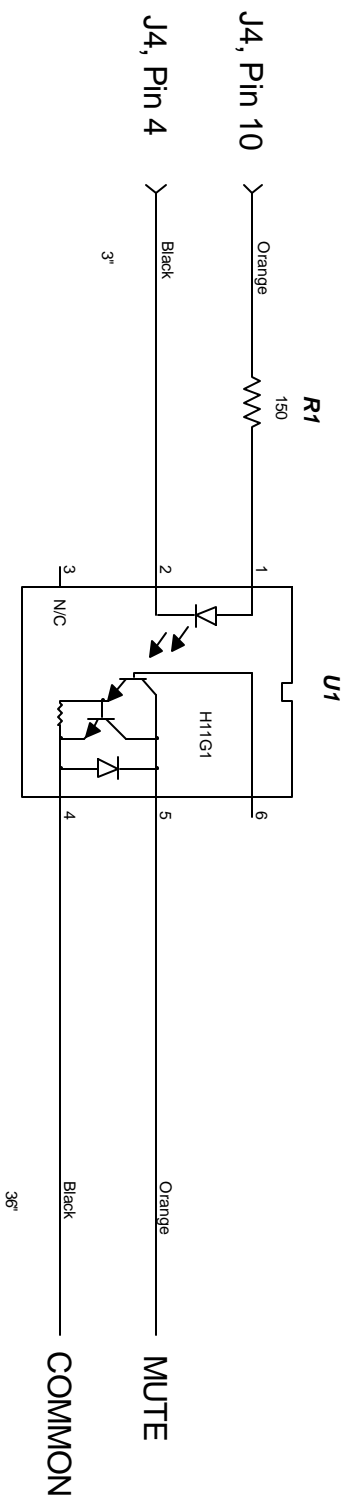
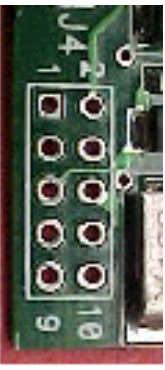
The short set of wires are fed through the hole at the rear left of the enclosure. The black wire is plugged onto pin 4 (right) and the orange onto pin 10 (left).

The long set of wires are attached to your jukebox. The black wire connects to the terminal strip position, marked as "COMMON".

The orange wire connects to the orange/black wire on your amplifier, this is the mute signal.



MP3-DSP PLAYER



Works With CD100IDX Version 0020 or Higher

Component List	
R1	150 Ohm, 5%, 1/4W
U1	H11G1, Photo Darlington

CD100 EXTERNAL MUTE

Data Sync Engineering
 P.O. Box 539, Footbridge Lane, Building 3
 Blairstown, NJ 07825 (908) 362-6299

Date	Sheet	Engineer	Doc. File	Rev.
01/03/2005	of		extmute.sch	A