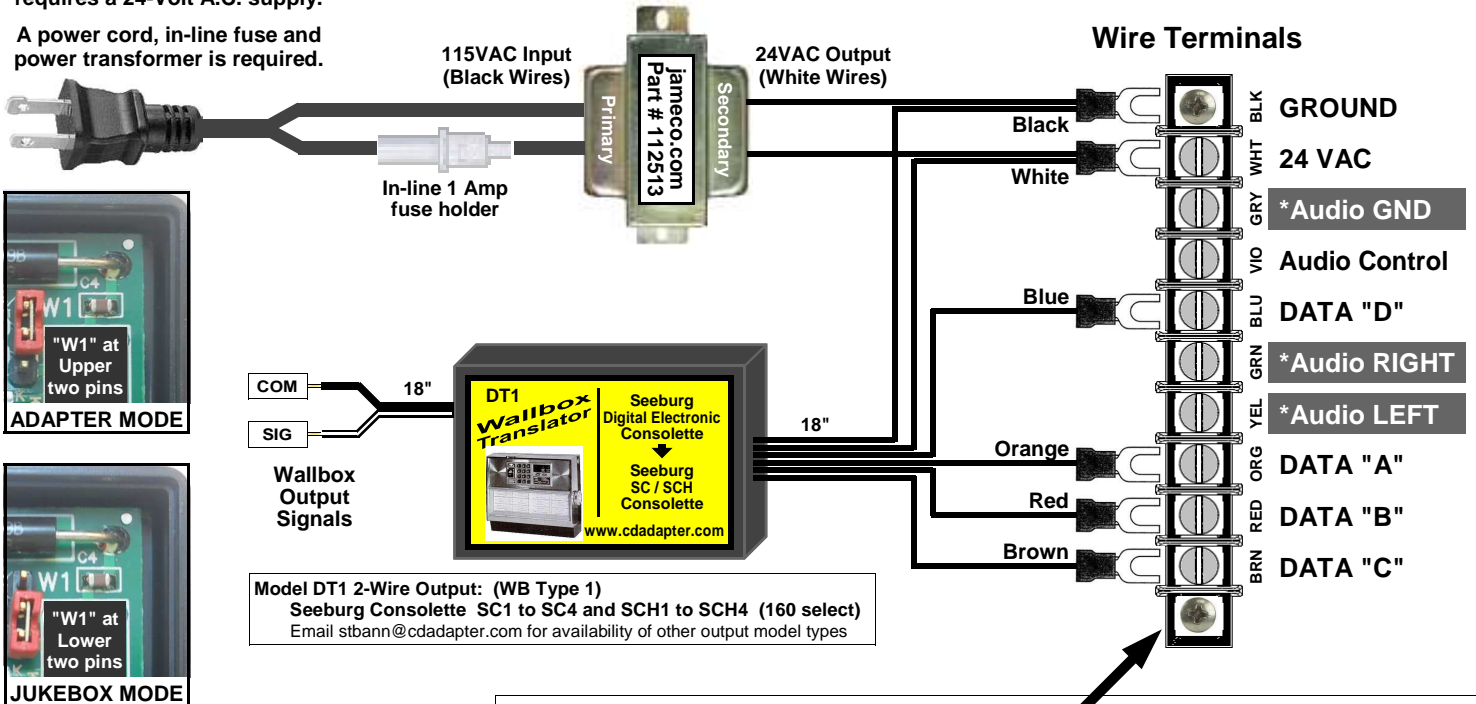


SEEBURG "Digital Electronic Consolette" 2-WIRE TRANSLATOR

The Seeburg DEC wallbox requires a 24-Volt A.C. supply.

A power cord, in-line fuse and power transformer is required.

Power Transformer
24VAC @2A (48VA)



*WALLBOX SPEAKERS

The Audio Ground, Right and Left terminals connect to the wallbox speakers through the Soft / Loud "Volume Control Switches".

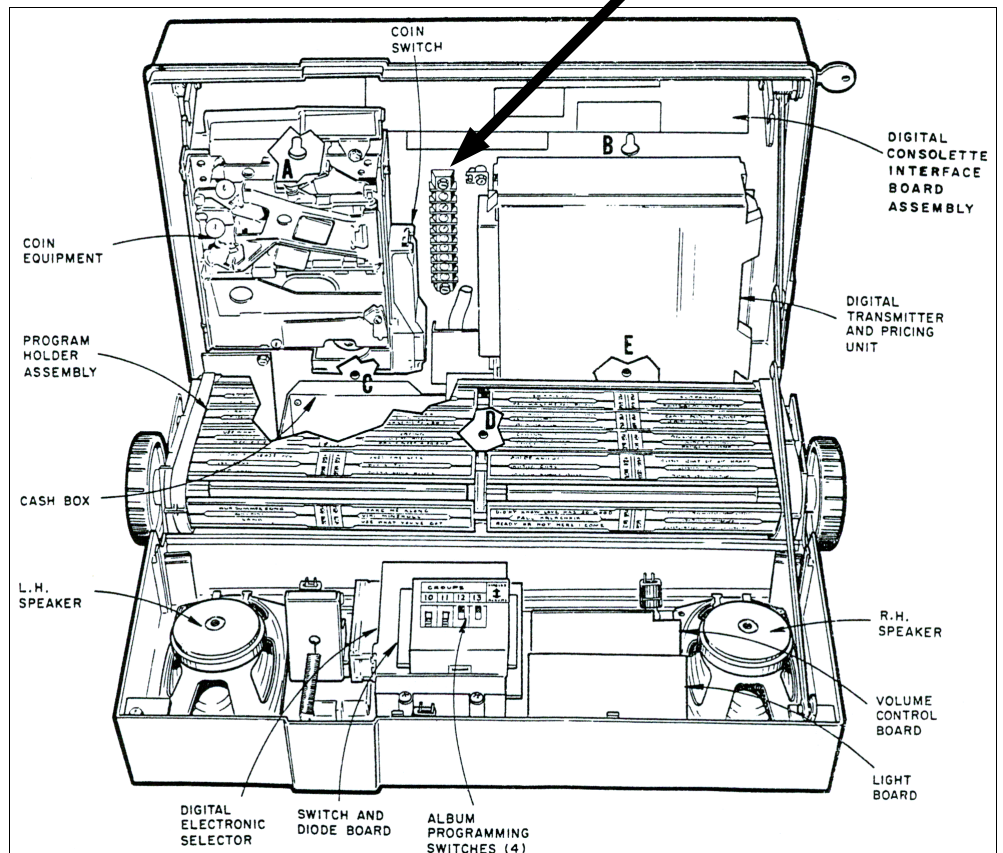
OPERATING MODE

Factory shipped in "Adapter Mode" to allow the direct connection to a Wallbox Adapter player system.

If connecting to a jukebox stepper, move the red W1 jumper to the two lower pins as shown above.

FREE PLAY

To allow Free Play operation, pull out the "Seeburg Programmer" board from the Digital Transmitter and Pricing Unit (Black Box).



DEC wallboxes can be daisy-chained together, but as a general rule, each group of four wallboxes should be powered from a separate 24VAC 2-Amp power supply.

CAUTION: Do not attempt to hook up a wallbox power supply if you are not familiar with electrical wiring, consult with a qualified person or an electrician. Do not leave any wires exposed, always use wire-nuts or electrical tape on all connections. Improper wiring can result in a fire or shock hazard.